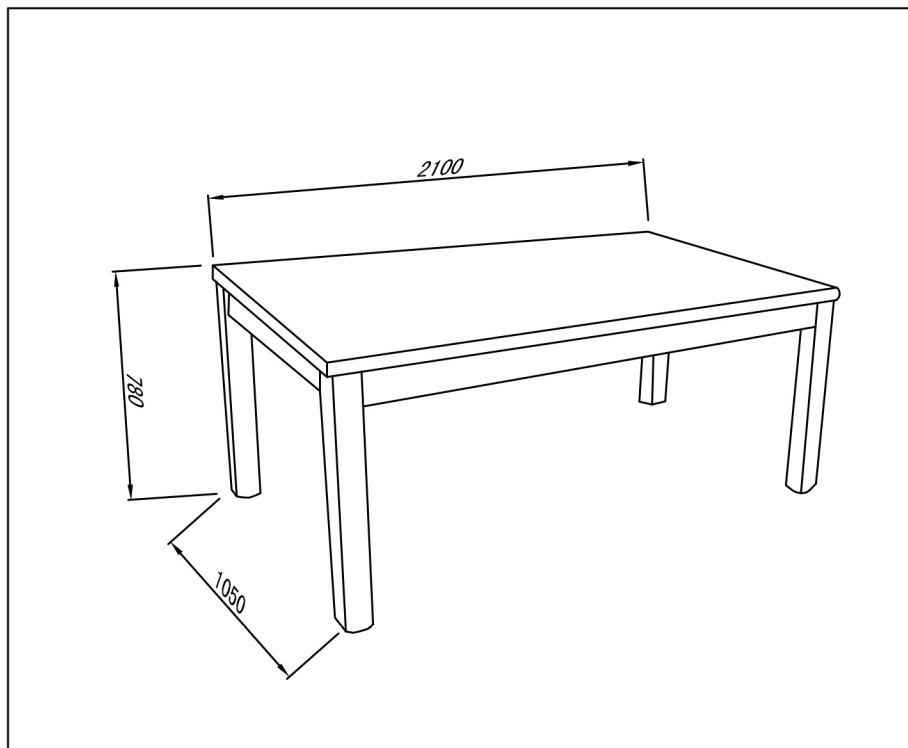




**ASSEMBLY INSTRUCTION
SETTLER 2100 DINING TABLE.
ITEM CODE - 47063.**

Imported by Amart Furniture Pty Ltd., QLD, Brisbane Australia.
For any assistance with assembly or for missing parts please
phone Amart Furniture, Customer service Freecall 1800 351 084.



**Imported by Amart Furniture Pty Ltd., QLD, Brisbane Australia.
For any assistance with assembly or for missing parts please
phone Amart Furniture, Customer service Freecall 1800 351 084.**

PRE-ASSEMBLY PREPARATION

BEFORE YOU START...

1. Choose a clean, level, spacious assembly area. Avoid hard surfaces that may damage the product.
2. Check and ensure that you have all required contents for complete assembly.
3. Always read the assembly instructions carefully before beginning assembly.
4. The packaging and contents can be a choking hazard, therefore keep out of reach of small children at all times.
5. Do not over tighten the bolts as this may damage the thread.

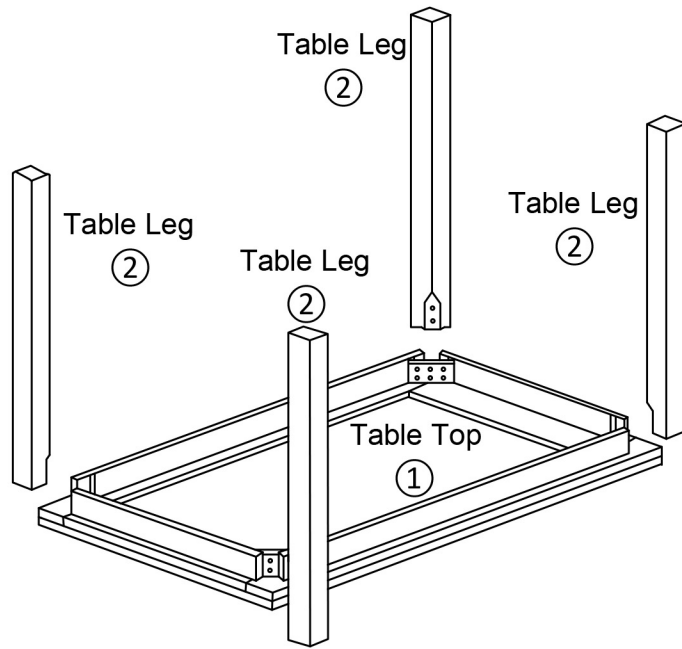


ALLOW 20 MINUTES

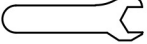




2 PEOPLE REQUIRED

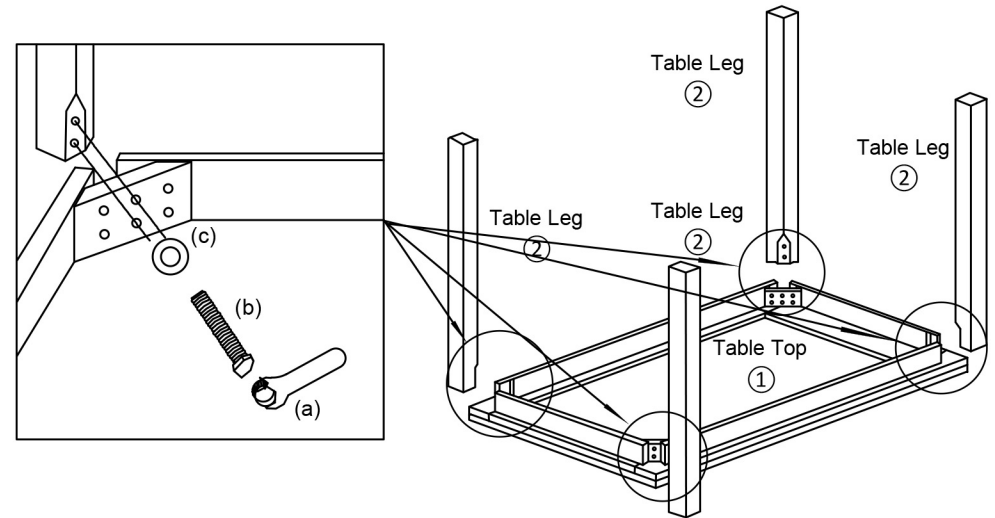
PARTS LIST



1	TABLE TOP
2	TABLE LEG

a. Spanner 12.8mm 1 PCS 	b. Hex Bolt M10x80 8 PCS 	c. Flat Washer 8 PCS 
---	--	--

STEP 1: Flip the table top ① upside down, carefully. Fasten the table legs ② to the table top ① with bolt (b) and flat washer (c) separately using spanner (a).



STEP 2: Flip the table upright, carefully.
Assembly is complete.

